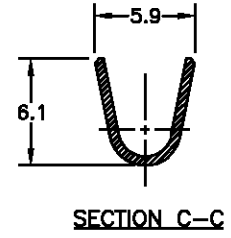
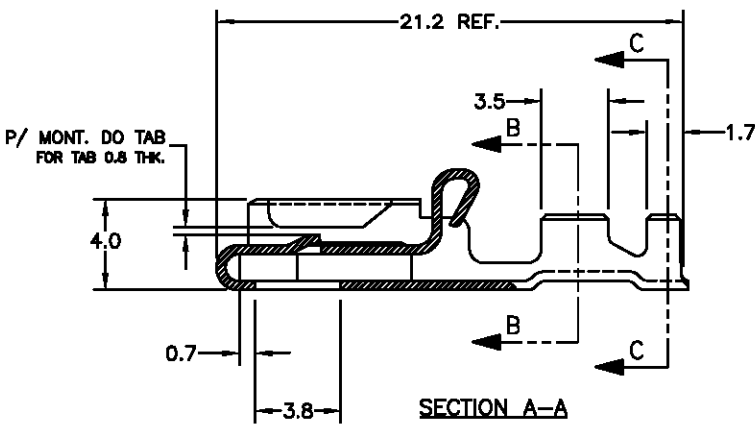
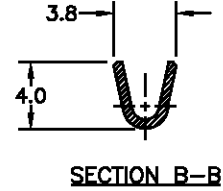
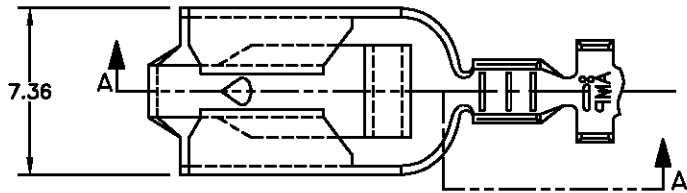


CAD
ALWAYS
DO NOT REVISE EXCEPT BY CAD

LOC AP DIST —

REVISIONS		DATE DATA	DWN DES	APVD APR
P	LTR LT	DESCRIPTION DESCRIGD		
B1		REDRAW BY CAD, ECLB0177/00	27JUN00	AP PLF
B2		REVISED PER ECO-09-026444	26NOV09	KK AEG



1 OBSOLETE PARTS: OBSOLETE CIS STREAMLINING PER D.RENAUD/D.SINISI

1 OBSOLETE	ESTANHADO/TIN PLATED 6,0µm	LATÃO/BRASS	880645-9
	PRÉ-ESTANHADO/PRE TIN PLATED	LATÃO/BRASS	880645-6
1 OBSOLETE	ESTANHADO/TIN PLATED	BRONZE FOSF./PHOSP. BRONZE	880645-4
	ESTANHADO/TIN PLATED	LATÃO/BRASS	880645-3
	--/--	BRONZE FOSF./PHOSP. BRONZE	880645-2
	--/--	LATÃO/BRASS	880645-1
WIRE RANGE (mm ²)	>1,0 - 2,5	FINISH	PART NUMBER
INSUL. RANGE (# mm)	2,7 - 4,0	MATERIAL	

THIS DRAWING IS UNPUBLISHED. COPYRIGHT 19 BY AMP INCORPORATED. ALL RIGHTS RESERVED. 1986.

DIMENSIONS: DIMENSÕES MM TOLERANCES UNLESS OTHERWISE SPECIFIED: TOLERÂNCIA NCD ESPECIFICADAS 0 PLC/DEC ± - 1 PLC/DEC ± 0,3 2 PLC/DEC ± 0,1 3 PLC/DEC ± - 4 PLC/DEC ± - ANGLES/ANGULARES ± 0°30'	DWN/DES A.PERUSSI 29JUN00	MATERIAL SEE TABLE	FINISH ACABAMENTO SEE TABLE
	CHK/CH P.L.FARIA 27JUN00	AMP AMP do Brasil Ltda. São Paulo - Brasil	
	APVD/APR J.M.M.NETO 27JUN00	NAME DESCRIGD POSITIVE LOCK RECEPTACLE	
	PRODUCT SPEC -	SIZE A4	CAGE CODE 00779
	APPLICATION SPEC -	DRAWING NO DESENHO NO C=880645	
	WEIGHT -	RESTRICTED TO -	
CUSTOMER DRAWING/DESENHO DE CLIENTE		SCALE ESCALA 3:1	SHEET FOLHA 1 OF 1
		REV B2	